



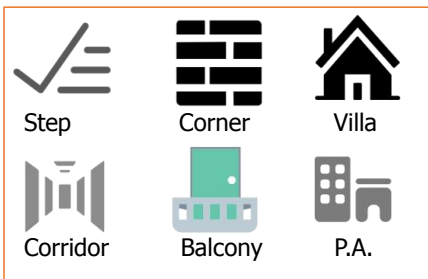
Features

- ✓ CCT Adjustable
- ✓ CRI>83
- ✓ IP65
- ✓ No Flicker UGR<19
- ✓ Three colors

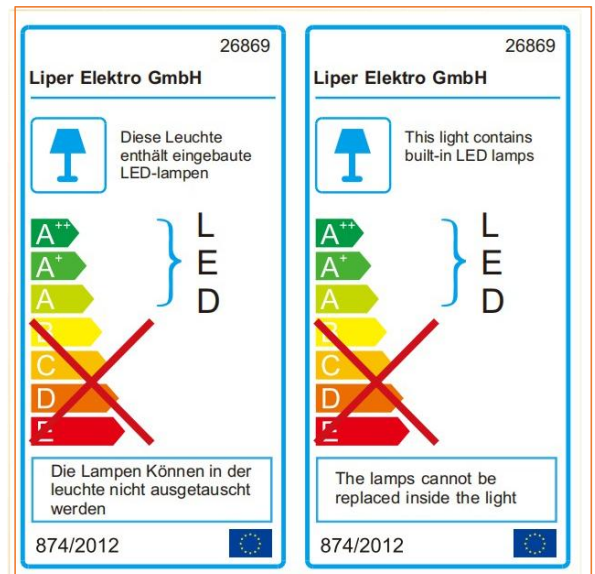
Benefits

- ✓ High Energy Saving
- ✓ High Efficiency
- ✓ Eye Protection
- ✓ Long Life Time
- ✓ Private Mold

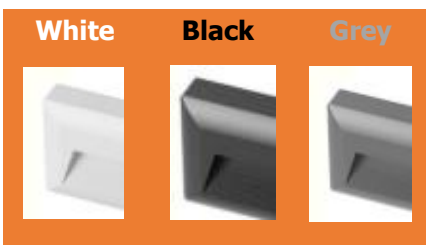
Application



Certificate



Three Colors Frame



Specifications

Item Number	Power (W)	Power Factor	Lumen (lm)	Efficiency (lm/W)	Input Current	CRI	Color Temperature	Life Time (hrs)
LPWL-05A01-Y	5W	>0.5	425-510	85 ± 10%	60mA	>83	WW/CW/NW/CCT	50000



Technical specifications

On/Off Cycles	>1000,000
Color Tolerance Adjustment (SDCM)	<6
IP	65
Class	II
LED Driver	DOB
LED Beads	2835 3V/150MA
Housing Color	Black/White/Gray
Pressure Resistant	3000V
Wire Diameter and Material	0.75 mm ² Copper Wire

Electrical Supply

Power range	4.5-5.5W
Frequency (Hz)	50/60
Voltage (V)	100-240V
AC/DC	AC
Input Current	60mA
Output Voltage	DC30V
Output Current	150mA

Lights Material

Housing Material	Plastic
Optical Material	Plastic

Temperature

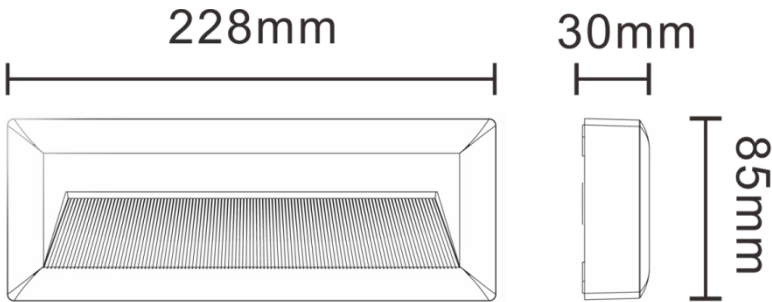
Operating Temperature	-15°C ~ 50 °C
Testing Temperature	-20°C ~ 95 °C



Packing Data

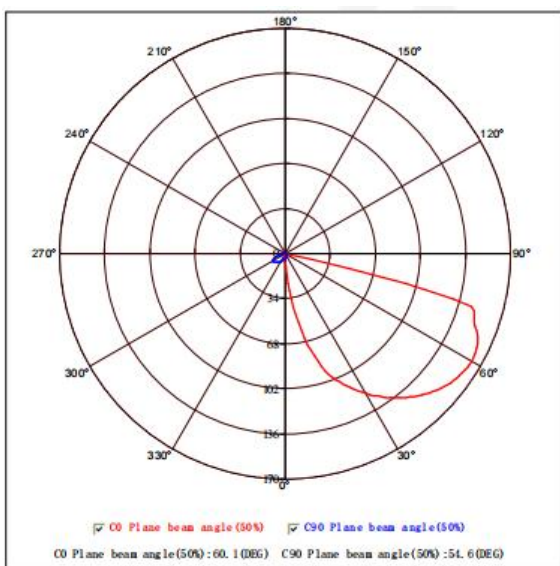
Item No	PCS/CTN	Gross Weight KG	Net Weight KG	Length CM	Width CM	Height CM
LPWL-05A01-Y	40	9.5	8.3	47.5	36	20

Dimensional Drawing



Item No	Power	Length (mm)	Width(mm)	Height(mm)
LPWL-05A01-Y	5W	228	85	30

Planar Intensity Distribution Curve



Average Illumination

