



NEW SERIES STEP LIGHT

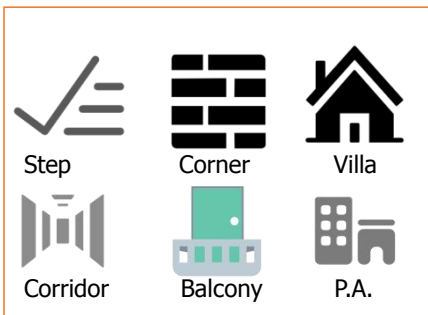
Features

- ✓ CCT Adjustable
- ✓ CRI>83
- ✓ IP65
- ✓ No Flicker UGR<19
- ✓ Three colors

benefits

- ✓ High Energy Saving
- ✓ High Efficiency
- ✓ Eye Protection
- ✓ Long Life Time
- ✓ Private Mold

Application



Certificate



26869

Liper Elektro GmbH

Diese Leuchte enthält eingebaute LED-lampen

LED

Die Lampen Können in der leuchte nicht ausgetauscht werden

874/2012

26869

Liper Elektro GmbH

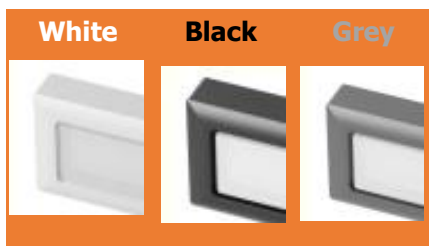
This light contains built-in LED lamps

LED

The lamps cannot be replaced inside the light

874/2012

Three Colors Frame



Specifications

Item Number	Power (W)	Power Factor	Lumen (lm)	Efficiency (lm/W)	Input Current	CRI	Color Temperature	Life Time (hrs)
LPWL-07A01-Y	7W	>0.5	595-640	85 ± 10%	75mA	>83	WW/CW/NW/CCT	50000



Technical specifications

On/Off Cycles	>1000,000
Color Tolerance Adjustment (SDCM)	<6
IP	65
Class	II
LED Driver	DOB
LED Beads	2835 3V/150MA
Housing Color	Black/White/Gray
Pressure Resistant	3000V
Wire Diameter and Material	0.75 m ² Copper Wire

Electrical Supply

Power range	6.3-7.7W
Frequency (Hz)	50/60
Voltage (V)	100-240V
AC/DC	AC
Input Current	75mA
Output Voltage	DC60V
Output Current	100mA

Lights Material

Housing Material	Plastic
Optical Material	Plastic

Temperature

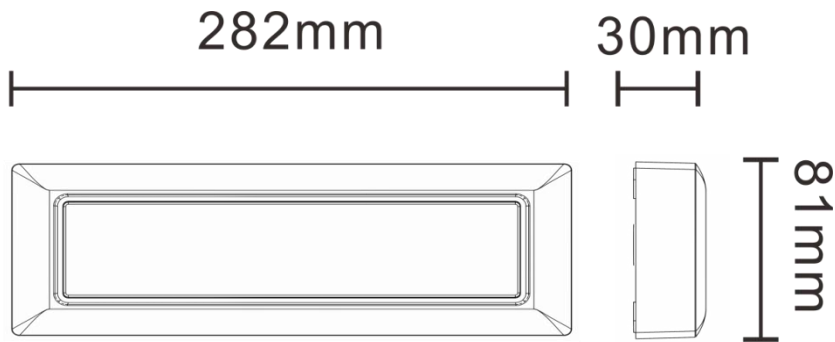
Operating Temperature	-15°C ~ 50 °C
Testing Temperature	-20°C ~ 95 °C

Packing Data



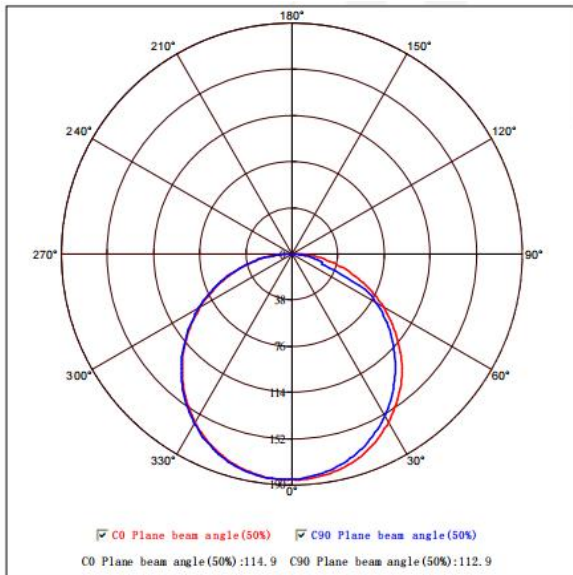
Item No	PCS/CTN	Gross Weight KG	Net Weight KG	Length CM	Width CM	Height CM
LPWL-07A01-Y	40	8.5	7.3	47.5	36	19

Dimensional Drawing



Item No	Power	Length (mm)	Width(mm)	Height(mm)
LPWL-07A01-Y	7W	282	30	81

Planar Intensity Distribution Curve



Average Illumination

