



Features

- ✓ CCT Adjustable
- ✓ CRI>83
- ✓ IP65 Waterproof
- ✓ No Flicker
- ✓ Up&Down and Side Lit

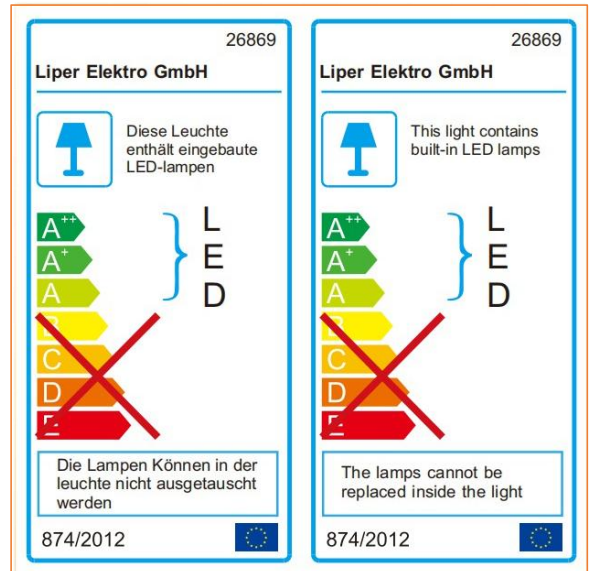
Benefits

- ✓ High Energy Saving
- ✓ High Efficiency
- ✓ Eye Protection
- ✓ Long Life Time
- ✓ Private Mold

Application



Certificate



specifications

Item Number	Power (W)	Power Factor	Lumen (lm)	Efficiency (lm/W)	Input Current	CRI	Color Temperature	Life Time (hrs)
LPWL-08C01-Y	2*4W	>0.5	440-480	55±10	72mA	>83	3000K	50000
LPWL-08C01-Y	2*4W	>0.5	440-480	55±10	72mA	>83	4000K	50000
LPWL-08C01-Y	2*4W	>0.5	440-480	55±10	72mA	>83	6500K	50000
LPWL-08C01-Y	2*4W	>0.5	440-480	55±10	72mA	>83	CCT	50000
LPWL-12C01-Y	2*6W	>0.5	660-720	55±10	110mA	>83	3000K	50000
LPWL-12C01-Y	2*6W	>0.5	660-720	55±10	110mA	>83	4000K	50000
LPWL-12C01-Y	2*6W	>0.5	660-720	55±10	110mA	>83	6500K	50000
LPWL-12C01-Y	2*6W	>0.5	660-720	55±10	110mA	>83	CCT	50000



Technical specifications

On/Off Cycles	100,000
Color Tolerance Adjustment (SDCM)	<6
IP	65
Class	II
LED Driver	DOB
LED Beads	2835 3V/150MA
Housing Color	Black
Pressure Resistant	1500V
Wire Diameter and Material	0.75 mm ² Copper Wire

Electrical Supply

Power Range	7.2-8.8W	10.8-13.2W
Frequency (Hz)	50/60	50/60
Voltage (V)	100-240	100-240
AC/DC	AC	AC
Input Current	72mA	110mA
Output Voltage	DC42V	DC78V
Output Current	170mA	140mA

Lights Material

Housing Material	Die-Casting Aluminum
Optical Material	Plastic

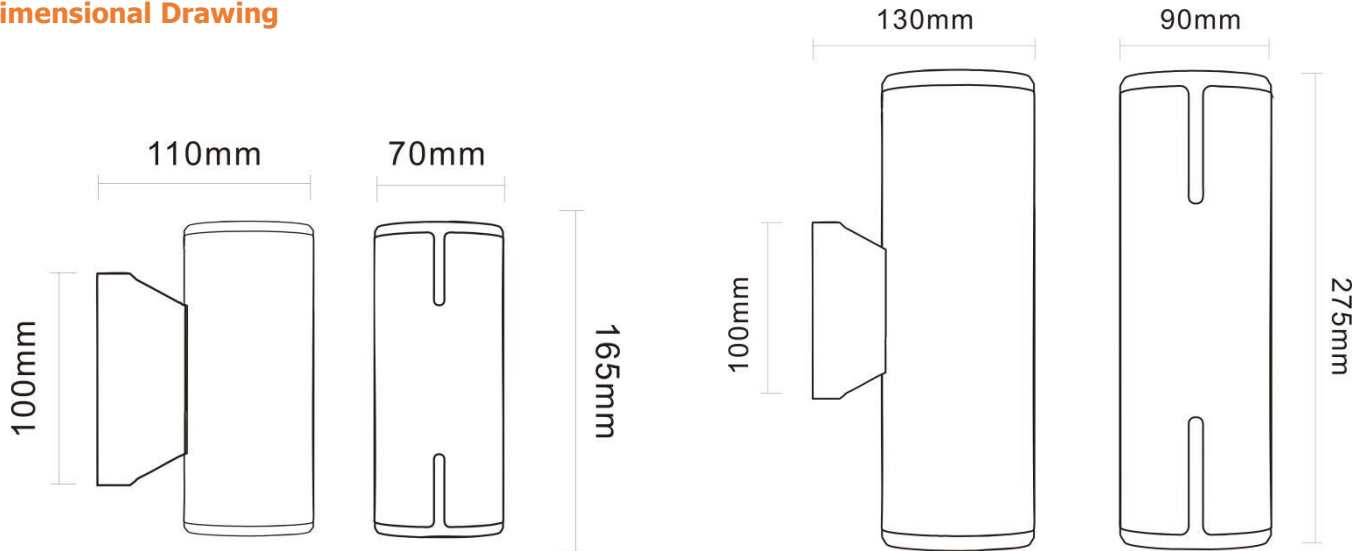
Temperature

Operating Temperature	-45 °C ~ 50 °C
Testing Temperature	-45 °C ~ 80 °C

Packing Data

Item No	PCS/CTN	Gross Weight KG	Net Weight KG	Length CM	Width CM	Height CM
LPWL-08C01-Y	20	8.2	7.3	39	35	25
LPWL-12C01-Y	10	8	7.2	48.5	29	29

Dimensional Drawing



Item No	Power	Diameter (mm)	Height (mm)
LPWL-08C01-Y	8W	70	165
LPWL-12C01-Y	12W	90	275

Average Illumination

Planar Intensity Distribution Curve

! ambient lighting
no beam angle parameters

