



Features

- ✓ Economical
- ✓ CRI>83
- ✓ CCT Adjustable
- ✓ Elegant light
- ✓ No Flicker UGR<19

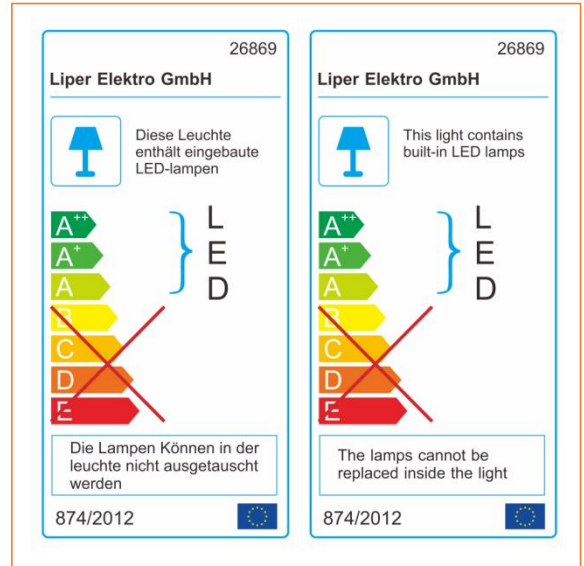
Benefits

- ✓ High Energy Saving
- ✓ High Efficiency
- ✓ Eye Protection
- ✓ Long Life Time
- ✓ Private Mold

Application



Certificate



Lights Body



Specifications

Item Number	Power (W)	Power Factor	Lumen (lm)	Efficiency (lm/W)	Input Current	CRI	Color Temperature	Life Time (hrs)
LP-CL05G01-Y	5W	>0.5	440-480	85 ± 10	45mA	>83	CW/NW/WW/CCT	50000
LP-CL07G01-Y	7W	>0.5	570-630	85 ± 10	50mA	>83	CW/NW/WW/CCT	50000



Technical specifications

On/Off Cycles	>100,000
Color Tolerance Adjustment (SDCM)	<6
IP	20
Class	II
LED Driver	DOB
LED Beads	2835 36V/30MA 1W
Housing Color	White/Black
Pressure Resistant	3000V
Wire Diameter and Material	0.75 mm ² Copper Wire

Electrical Supply

Power Range	4.4-5.4W	6.3-7.7W
Frequency (Hz)	50/60	50/60
Voltage (V)	100-240	100-240
AC/DC	AC	AC
Input Current	45mA	50mA
Output Voltage	DC252V	DC252V
Output Current	15mA	25mA

Lights Material

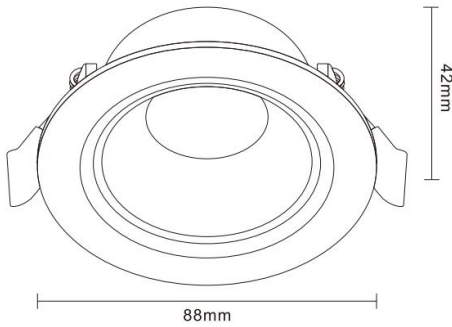
Housing Material	Plastic
Optical Material	Plastic

Temperature

Operating Temperature	-15°C ~ 50 °C
Testing Temperature	-20°C ~ 95 °C



Dimensional Drawing

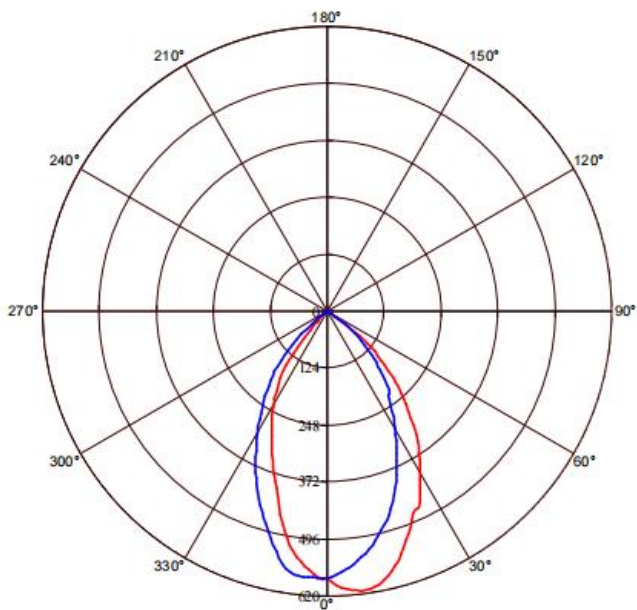


Item No	Power	Diameter (mm)	Height (mm)	Cut out (mm)
LP-CL05G01-Y	5W	88	42	75-80
LP-CL07G01-Y	7W	88	42	75-80

Packing Data

Item No	PCS/CTN	Gross Weight KG	Net Weight KG	Length CM	Width CM	Height CM
LP-CL05G01-Y	90	8.8	5.5	52	21	28.5
LP-CL07G01-Y	90	8.8	5.5	52	21	28.5

Planar Intensity Distribution Curve



C0 Plane beam angle (50%)
 C90 Plane beam angle (50%)
 C0 Plane beam angle (50%): 59.6
 C90 Plane beam angle (50%): 60.5

Average Illumination

