



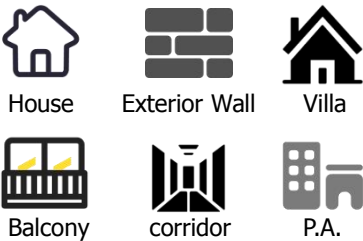
Features

- ✓ CCT Adjustable
- ✓ CRI>83
- ✓ IP65 Waterproof
- ✓ No Flicker UGR<19
- ✓ Back-lit and Side-Lit

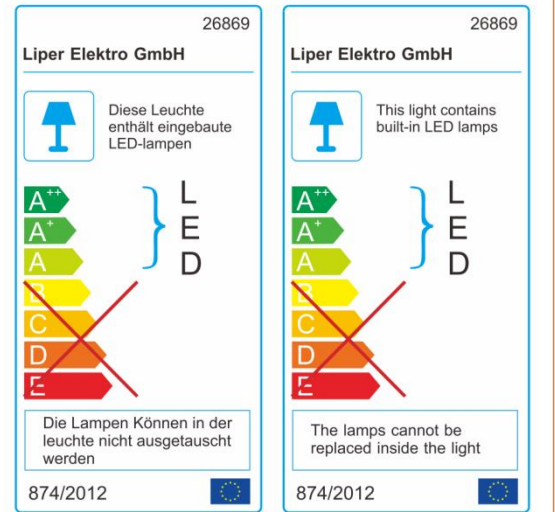
Benefits

- ✓ High Energy Saving
- ✓ High Efficiency
- ✓ Eye Protection
- ✓ Long Life Time
- ✓ Private Mold

Application



Certificate



Four Colors Frame



specifications

Item Number	Power (W)	Power Factor	Lumen (lm)	Efficiency (lm/W)	Input Current	CRI	Color Temperature	Life Time (hrs)
LPDL-25MS01-Y	25W	>0.5	2125-2250	85 ± 10	200mA	>83	CW/NW/WW/CCT	50000
LPDL-35MS01-Y	35W	>0.5	2975-3150	85 ± 10	270mA	>83	CW/NW/WW/CCT	50000
LPDL-45MS01-Y	45W	>0.5	3825-4050	85 ± 10	340mA	>83	CW/NW/WW/CCT	50000



Technical specifications

On/Off Cycles	>100,000
Color Tolerance Adjustment (SDCM)	<6
IP	65
Class	II
LED Driver	DOB
LED Beads	2835 3V/150MA
Housing Color	White/Black/Grey/Gold/Wooden
Pressure Resistant	3000V
Wire Diameter and Material	0.75 m ² Copper Wire

Electrical Supply

Power Range	22.5-27.5W	31.5-38.5W	40.5-49.5W
Frequency (Hz)	50/60	50/60	50/60
Voltage (V)	100-240	100-240	100-240
AC/DC	AC	AC	AC
Input Current	200mA	270mA	150mA
Output Voltage	DC72V	DC114V	DC150
Output Current	300mA	270mA	270mA

Lights Material

Housing Material	Plastic
Optical Material	Plastic

Temperature

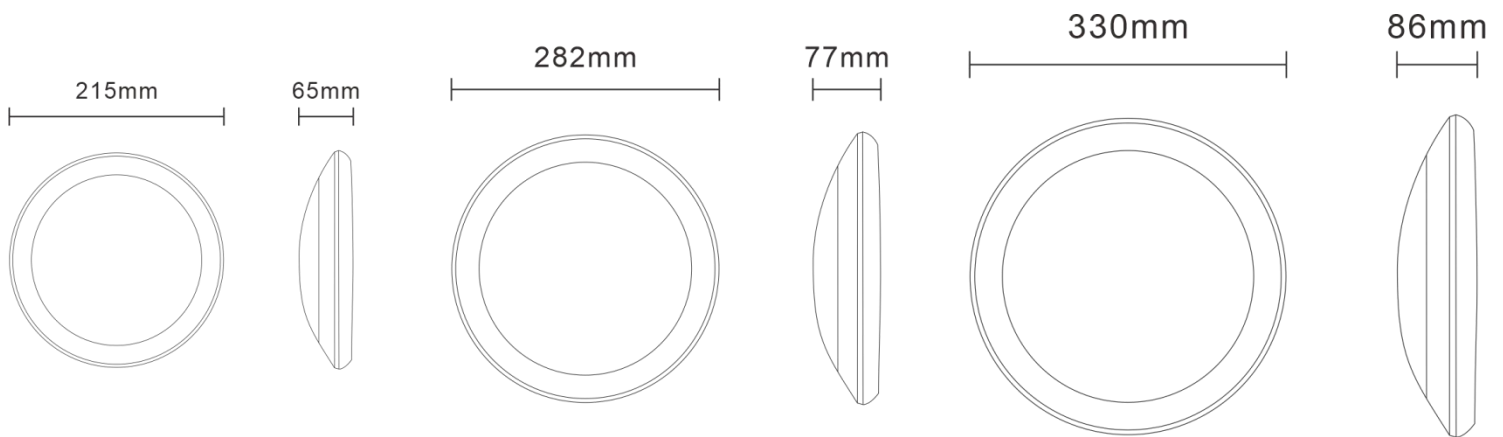
Operating Temperature	-45 °C ~ 50 °C
Testing Temperature	-45 °C ~ 95 °C



Packing Data

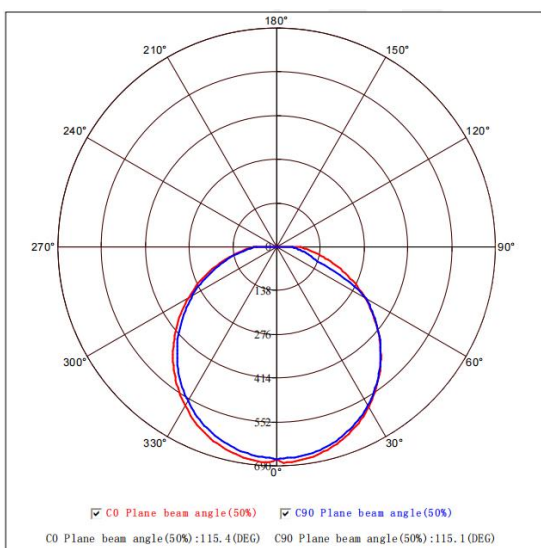
Item No	PCS/CTN	Gross Weight KG	Net Weight KG	Length CM	Width CM	Height CM
LPDL-25MS01-Y	20	10.5	7.3	45	37	46.5
LPDL-35MS01-Y	10	7.9	5.8	58.5	43	30.5
LPDL-45MS01-Y	5	5.7	3.8	47	34	35.5

Dimensional Drawing



Item No	Power	Diameter (mm)	Height (mm)
LPDL-25MS01-Y	25W	215	65
LPDL-35MS01-Y	35W	282	77
LPDL-45MS01-Y	45W	330	86

Planar Intensity Distribution Curve



Average Illumination

